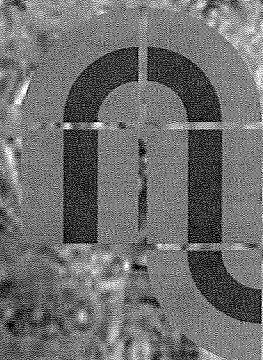


# Floating Silt & Debris Containment Curtains and Booms

*Helping to Protect the  
Environment*



**Northwest  
Linings &  
Geotextile  
Products  
Inc.**

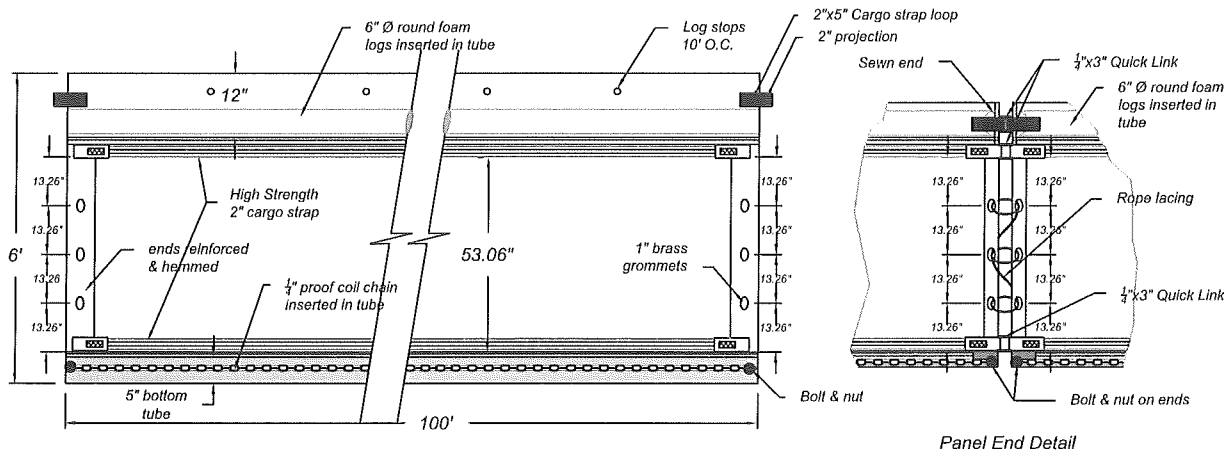
*"Installing and Supplying Geosynthetic Products since 1973"*

21000 77th Ave. South • Kent, WA 98032 • 253-872-0244

[www.northwestlinings.com](http://www.northwestlinings.com)

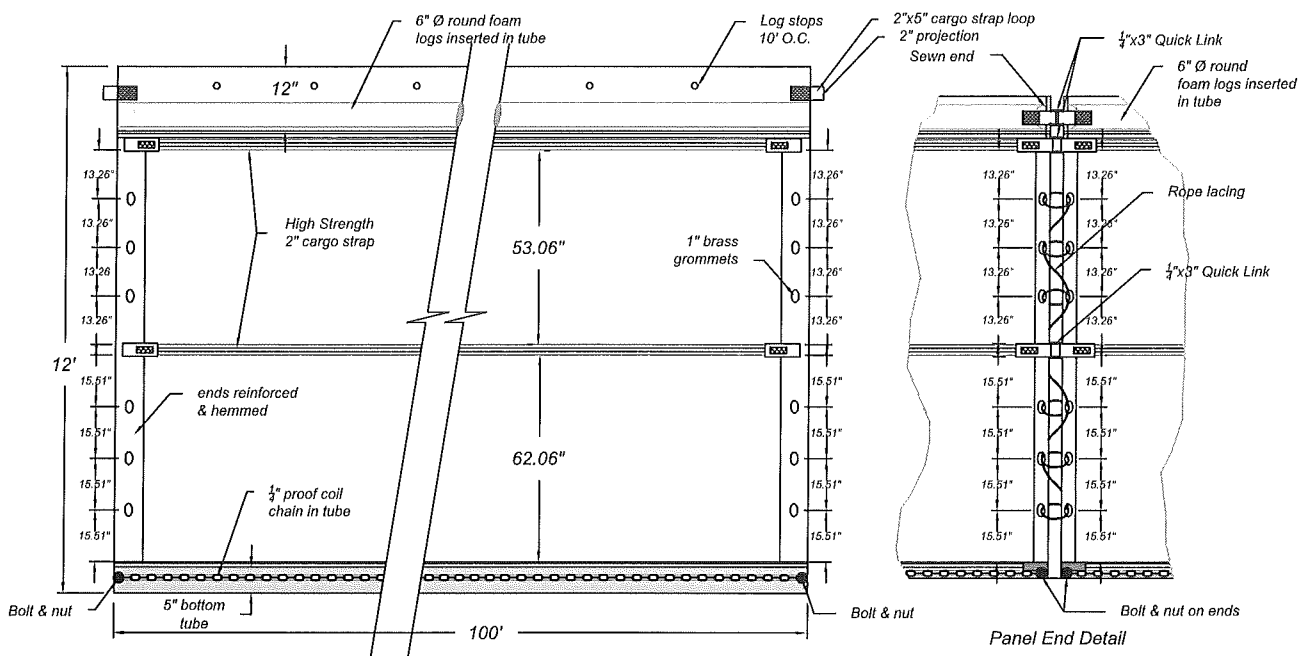
# Floating Silt & Debris Containment Curtains and Booms

Pre-fabricated • Standard Sizes



## PermeaTex Silt Containment Boom-Model SCB 6-100

Not to Scale



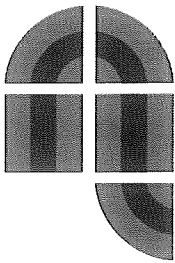
## PermeaTex Silt Containment Boom-Model SCB 12-100

(SCB 12-50 model available in 50' lengths) Not to scale

Northwest Linings & Geotextile Products, Inc. offers **Permeatex 2315 Silt Containment Curtains and Booms** available in three standard sizes that are moderately priced and available in stock for immediate shipment. These Silt Containment Booms are designed with two longitudinal reinforcing straps, reinforced end grommets, quick links, and a weight chain. These silt curtains are designed to operate under most of the conditions which they may encounter in the lakes, estuaries, rivers and streams where they may be deployed. Individual Sections are also designed to be linked together and deployed as a single longer unit. Standard sizes are: 6 foot and 12 foot of Depth and 50 foot or 100 foot in length. All Hardware is included. **Custom Silt Containment Booms, Debris Curtains, and Impermeable Barrier Curtains are also available.**

**Northwest Linings & Geotextile Products, Inc.**

21000 77th Ave. South • Kent, WA 98032 • 253-872-0244  
[www.northwestlinings.com](http://www.northwestlinings.com)



**NORTHWEST LININGS &  
GEOTEXTILE PRODUCTS, Inc.**

*"Helping to Protect the Environment"*

21000 77th Avenue South

Kent, WA 98032

(253) 872-0244 • (800) 729-6954

FAX: (253) 872-0245

www.northwestlinings.com

## PermeaTex TURBIDITY CURTAIN FOR SILT, DEBRIS & SEDIMENT

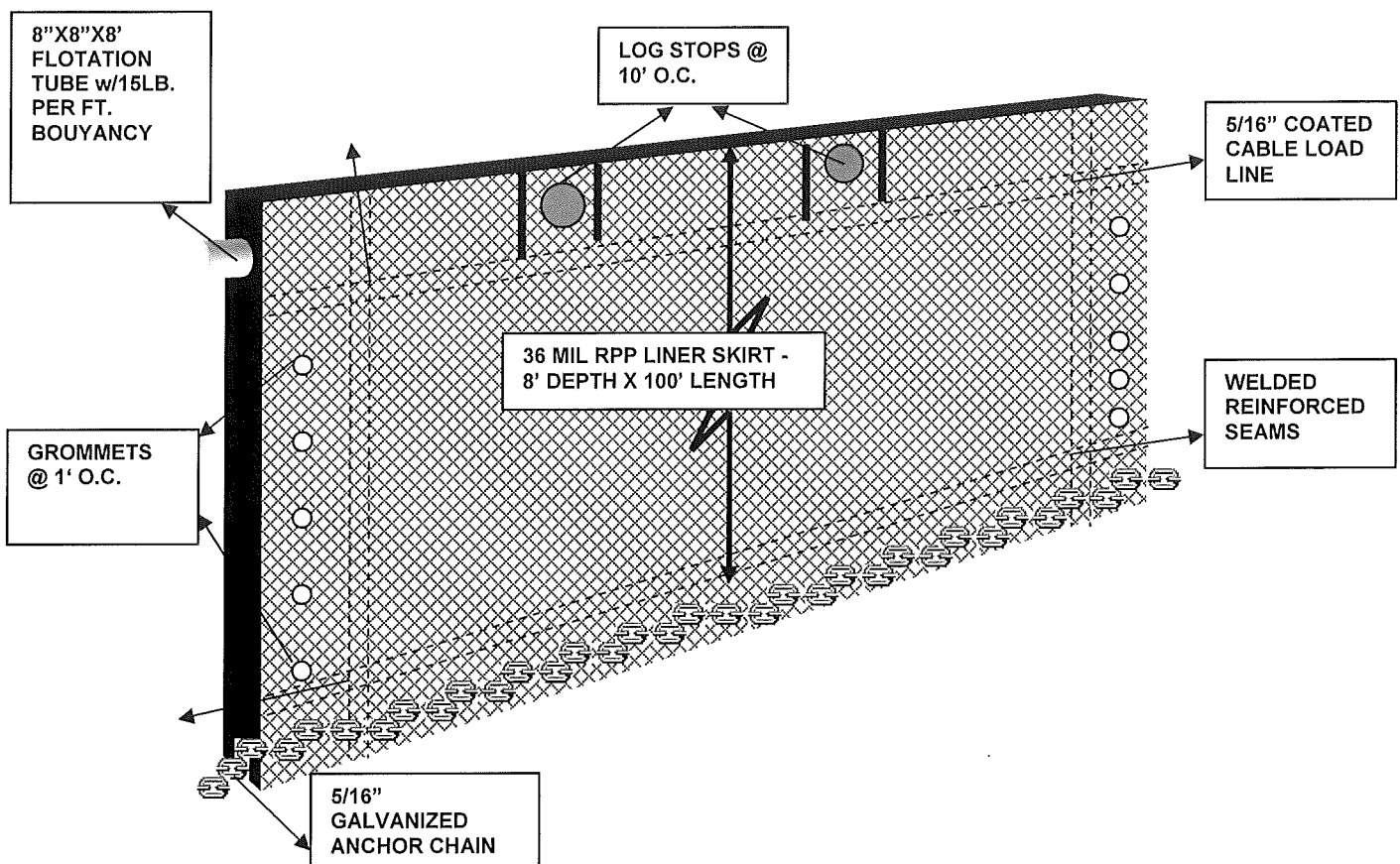
### TYPICAL CURTAIN DESIGN

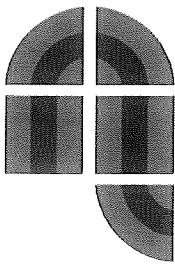
NORTHWEST LININGS AND GEOTEXTILE PRODUCTS INC. manufactures both standard and custom silt and debris turbidity curtains. We offer a variety of options including height, length, type of foam, and longevity of fabrics.

Standard turbidity curtains utilize expanded polystyrene foam flotation and a RPP impermeable liner. All materials are prefabricated & stuffed with foam and chain in the pockets. These designs can be expected to last 1-3 years. For impermeable booms, reinforced polypropylene or vinyl coated PVC can be used. These products can be expected to last 5-20 years. Northwest Linings can also fabricate floating curtains with shorter life expectancy. These curtains are usually available without the styrofoam or the chain.

### TYPICAL PROPERTIES OF A TURBIDITY CURTAIN

- ◆ 100' LENGTH, 8' DEPTH AS REQUIRED
- ◆ LOG STOPS @ 10' O.C.
- ◆ 8" X 8' FLOTATION TUBE W/ 45 LB. PER FT. BOUANCY (WELDED INTO POCKET)
- ◆ WELDED REINFORCED HEMS
- ◆ 5/16" GALV CHAIN BALLAST





**NORTHWEST LININGS &  
GEOTEXTILE PRODUCTS, Inc.**

*"Helping to Protect the Environment"*

21000 77th Avenue South

Kent, WA 98032

(253) 872-0244 • (800) 729-6954

FAX: (253) 872-0245

www.northwestlinings.com

## REINFORCED POLYPROPYLENE GEOMEMBRANE (RPP)

### PRODUCT DESCRIPTION

RPP<sup>6</sup> is a flexible polypropylene vinyl geomembrane produced from first quality resins. RPP is chemically inert, enabling the material to maintain flexibility throughout its use. With a low coefficient of thermal expansion and a low modulus of elasticity, RPP has fewer wrinkles thereby conforming better to uneven subgrade. RPP geomembranes have been formulated to be resistant to chemicals, ultraviolet degradation and leaching additives.

PROPERTY	METHOD	FREQUENCY <sup>1</sup>	RPP36
Thickness (nominal) <sup>2</sup> (mils) Thickness (minimum) <sup>3</sup> (mils)	ASTM D751	per roll	36 34
Weight per Unit Area oz/sy (g/sf)	ASTM D5261	50,000 sf	24.48 (77)
Tensile Properties • Grab Strength	ASTM D751 Method A	50,000 sf	400 LBS (1,779 N)
Tear resistance <sup>4</sup> (min. ave.) (lb.)	ASTM D751	50,000 sf	70
Ply Adhesion <sup>4</sup> (lb. of FTB)	ASTM D751	50,000 sf	30
Puncture Resistance (min. ave.) (lb.)	FTMS 101C Method 2031	50,000 sf certified	300 lbs
Dimensional Stability (max)(%)	ASTM D1204	resin batch	+/-1.0
Hydrostatic Resistance (psi)	ASTM D751 Method A, Proc. 1	certified	350
Low Temp Flexibility	ASTM D2136 1/8" Mandrel, 4 Hrs	certified	-40F
Stress Crack Resistance (hrs)	ASTMD1693	certified	5,000
UV Resistance (hrs) <sup>6</sup>	ASTM G155	certified	12,000
Resistance to Soil Burial (% Tensile Retention)	ASTM D3083 (Part 9.5)	certified	90% min.
Reinforcing Scrim	9 X 9, 1000 denier weft-inserted polyester for all material thicknesses.		

**NOTES:**

<sup>1</sup> Testing frequencies are rounded to the nearest full roll.

<sup>2</sup> Nominal thickness is based on no coupon being less than 10% under specified thickness. Average thickness may be less than specified thickness.

<sup>3</sup> Minimum thickness is based on average thickness being equal to or greater than specified thickness.

<sup>4</sup> Peak value.

<sup>5</sup> RPP black/black and tan/black is available in accordance with ANSI/NSF 61 standard and can be used for both potable and industrial applications.

<sup>6</sup> Allow four (4) months lead-time to fully evaluate long term UV resistance of the color.

The information and data contained herein are believed to be accurate and reliable. Northwest Linings makes no warranty of any kind and accepts no responsibility for the results obtained through application of this information